

H、L SERIES PORTABLE SUMP PUMP

www.henglong.com.tw

FEATURES

1. Have patent by intellectual property office, Ministry of Economic Affairs in Taiwan.
2. Stainless steel motor housing(IEC IP68) is durable and easy to carry and move.
3. Single-phase motor is equipped with built-in thermal protector.
4. Vortex impeller could pass solid object and long fiber without touching.
5. Special strengthened plastic impeller, strainer and stand resist rust and wear.
6. It's easy to operate without complex installation and maintenance.
7. Thick EPOXY coating is better than common painting in corrosion-resistance and rust-resistance.

APPLICATION

1. Household wastewater, accumulated water of basement, sewer wastewater drainage.
2. Washing car, watering garden, flowing water of landscape.
3. Pond, septic tank and community sewage drainage.
4. Plant and general sewage pumping and sucking.
5. Weak-acid and weak-alkalinity wastewater treatment of building and animal husbandry.
6. Base stand of L series allow to bigger solid passage.
7. The Bottom strainer is only for H series, which is to filter small objects in order to avoid object block the suction gap.

ATTENTION

1. The Auto-cut shuts off automatically to prevent overheat whenever its voltage drop, Impeller plugged, water level under the watermark and other unusual conditions. In this case, immediately improve the use of the environment, to avoid device failure.
2. Submersible pump relies on the outside cooling water and forbid it under the mark of liquid level.
3. Don't run over 24 hours. The proper using will extend the lifetime.
4. Avoid pumping the liquid with lots of sand or liquid with acidity and alkaline.



H-10315(A)



H-1052(A) 、 H-3052



H-113(A) 、 H-313



H-323



**PATENT
IN TAIWAN**



L-1052(A) 、 L-3052



L-113(A) 、 L-313



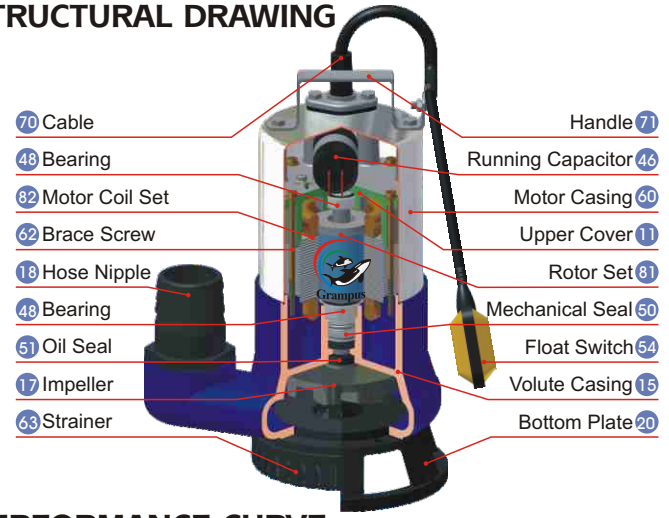
L-323

H、L series Portable Sump Pump

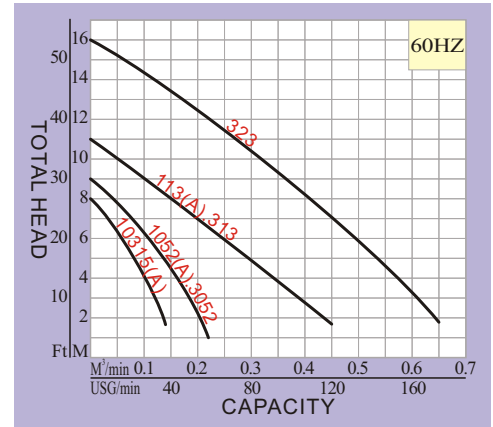
MATERIAL AND STANDARD TABLE

Liquid	Caliber	40 · 50 · 80(mm)	
	Temperature	0°C ~ 40°C (32°F ~ 104°F)	
	Application	Household sewage water, Miscellaneous Drainage, Septic tank of raw water, industrial wastewater, non-corrosive liquid	
	The lowest depth	▽10 M	
Pump	Structure	Impeller	Votex Impeller
		Seal	Single Mechanical Seal
	Material	Upper Cover	FC-200
		Bearing	Ball Bearing
		Impeller	Engineering Strengthen Fiber Resin
		Volute Casing	FC-200
		Strainer	1/3-1/2HP:Engineering Strengthen Fiber Resin 1-2HP:SUS-304
		Bottom Plate	Engineering Strengthen Fiber Resin
		Lubricant	ISO VG. # 32
		Seal	Carbon / Ceramic (1-2HP:SIC / SIC)
Motor	Type	Submersible oil type	
	Insulation class	E class(120°C)	
	Casing	1/3-1/2HP:SUS-304 / 1-2HP:SUS-316	
	Main Shaft	SUS-403 / SUS-410	
	Material	Hose Nipple	PE
Cable		VCT	

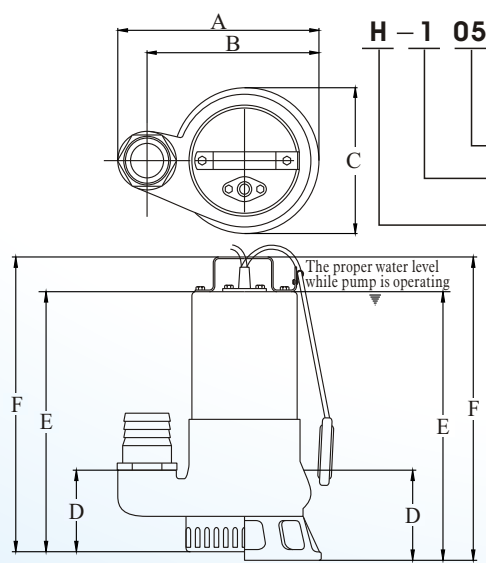
STRUCTURAL DRAWING



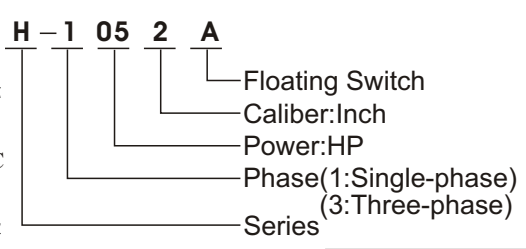
PERFORMANCE CURVE



DIMENSION



TYPE EXPLANATION



Unit:mm

TYPE	A	B	C	D	E	F
H-10315(A)	195	165	140	70	240	280
H-1052(A) L-1052(A)	225 230	190 195	140 160	75 95	265 285	305 325
H-3052 L-3052	225 230	190 195	140 160	75 95	265 285	305 325
H-113(A) L-113(A)	285 300	235 250	180 220	110 130	355 370	400 410
H-313 L-313	285 300	235 250	180 220	110 130	355 370	400 410
H-323 L-323	290 300	240 250	180 220	120 130	390 400	430 440

SPECIFICATION

※(A) means single-phase motor can be installed with the float switch.

Type	Frequency	Phase	Voltage	Power	Caliber	Pole / Rotation	Std. Head	Std. Flow	Max. Head	Max. Flow	Weight			
SERIES	TYPE	Hz	PH	VOLT	HP	KW	Inch	mm	P/rpm	M	M ³ /min	M	M ³ /min	KG
H	10315(A)	50	1Ø	220	1/3	0.25	1 1/2"	40	2P / 3450	4M	0.10	8M	0.14	8
H / L	1052(A)	50	1Ø	220	1/2	0.4	2"	50	2P / 3450	6M	0.11	9M	0.22	10
H / L	3052	50	3Ø	380	1/2	0.4	2"	50	2P / 3450	6M	0.11	9M	0.22	10
H / L	113(A)	50	1Ø	220	1	0.75	3"	80	2P / 3450	7M	0.20	11M	0.45	21
H / L	313	50	3Ø	380	1	0.75	3"	80	2P / 3450	7M	0.20	11M	0.45	21
H / L	323	50	3Ø	380	2	1.5	3"	80	2P / 3450	10M	0.32	16M	0.65	27